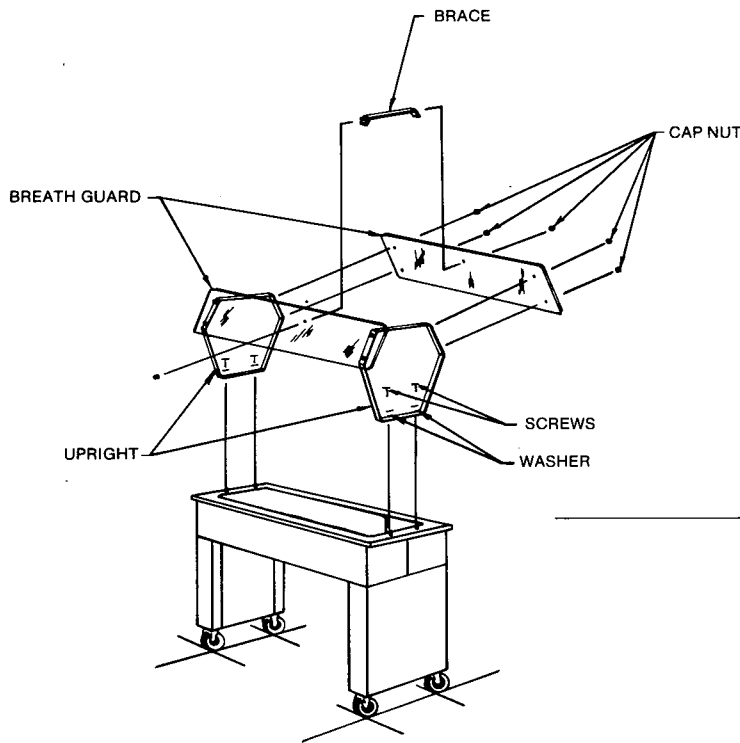




# Breath Guard Assembly Instructions for Vollrath Affordable Portables



Cold Food Station  
w/Fiberglass Well

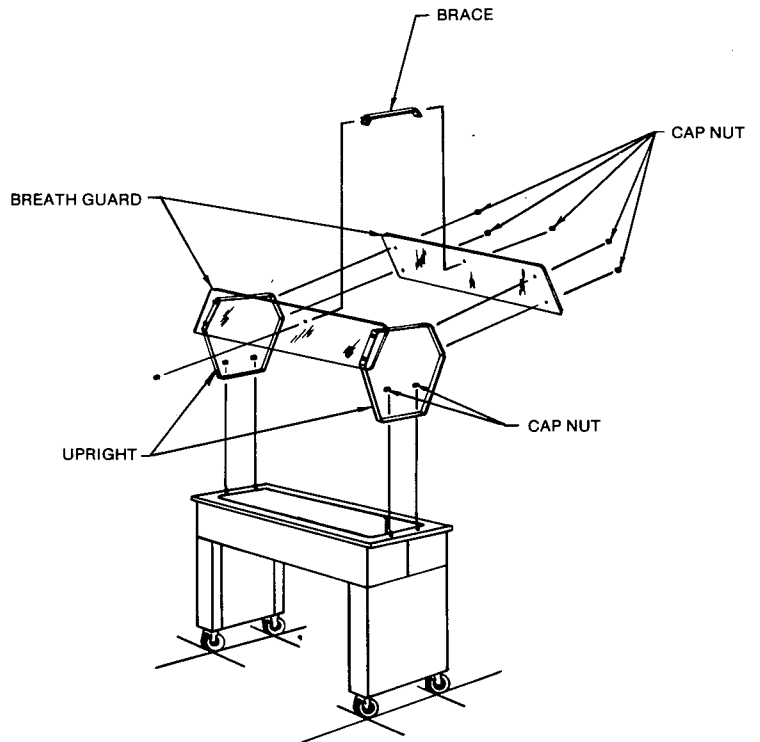
## PARTS LIST

Item	Qty.
1. Upright	2
2. Brace	1
3. Breath Guard	2
4. 10-24 Cap Nuts	10
5. 10-32 Screws	4
6. Washers	4

Cold Food Station  
w/Stainless Steel Well  
or Utility Station

## PARTS LIST

Item	Qty.
1. Upright	2
2. Brace	1
3. Breath Guard	2
4. 10-24 Cap Nuts	10
5. 1/4-20 Cap Nuts	4



1. Attach uprights to salad bar with (4) 1/4-20 cap nuts, or washers and screws as provided.
2. Attach breath guards (2) to uprights with (8) 10-24 cap nuts. **DO NOT TIGHTEN EXCESSIVELY** or breath guard may crack.
3. Connect brace with (2) remaining 10-24 cap nuts.

## GENERAL INSTRUCTIONS

1. To keep stainless surface new looking, clean after each use to remove deposits. Then rinse thoroughly. NOTE: Fiberglass well on cold food station can be cleaned with a mild detergent in hot water - Do not use abrasive cleaners or scouring pads.
2. Clean the wood grain vinyl with a damp cloth or wax cleaner such as Pledge, etc.
3. All plastic breath protectors can be cleaned and polished with a clear plastic cleaner, Cadco's Brillianize, etc.

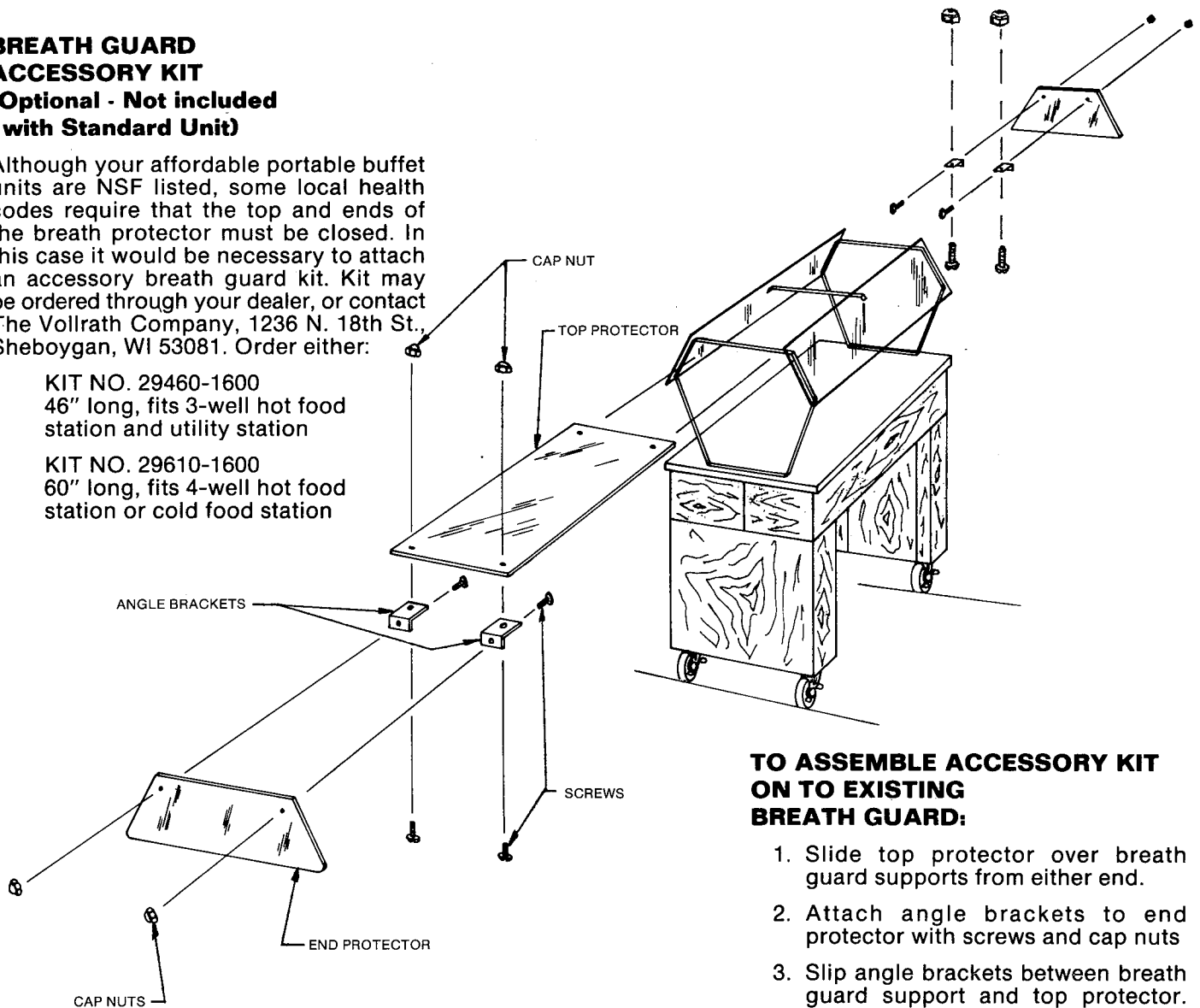
## ACCESSORY BREATH GUARD KIT

### BREATH GUARD ACCESSORY KIT (Optional - Not included with Standard Unit)

Although your affordable portable buffet units are NSF listed, some local health codes require that the top and ends of the breath protector must be closed. In this case it would be necessary to attach an accessory breath guard kit. Kit may be ordered through your dealer, or contact The Vollrath Company, 1236 N. 18th St., Sheboygan, WI 53081. Order either:

KIT NO. 29460-1600  
46" long, fits 3-well hot food  
station and utility station

KIT NO. 29610-1600  
60" long, fits 4-well hot food  
station or cold food station



### TO ASSEMBLE ACCESSORY KIT ON TO EXISTING BREATH GUARD:

1. Slide top protector over breath guard supports from either end.
2. Attach angle brackets to end protector with screws and cap nuts
3. Slip angle brackets between breath guard support and top protector. Fasten bracket to top protector with remaining screws and cap nuts.

### EACH ACCESSORY KIT CONTAINS:

1 top protector, 2 end protectors, 4 angle brackets, 8 screws with cap nuts.